

ACROBAT ADJUSTABLE SHALLOW PLENUM

Installs in 2½" Shallow Plenum

Up to 1149 Delivered Lumens

Adjustable Lens Tilts 45°, Infinite Rotation

LED LIGHT ENGINE

| | |
|------------------|-------------------------------------|
| RATED WATTAGE | 10W, 15W, 20W |
| DELIVERED LUMENS | Up to 1149 lm @ 3000K-20W-30° Optic |
| EFFICACY | Up to 54 LPW @ 3000K-20W-30° Optic |
| CCT @ 90CRI | 2700K, 3000K, 3500K, 4000K |
| COLOR QUALITY | 90+ CRI, 2-Step SDCM |
| LED LIFETIME | 50,000 hours @ L70 |

DELIVERED LUMENS MATRIX

| | | 10° Optic | 30° Optic | 50° Optic |
|---------|---------------|-----------|-----------|-----------|
| 10 Watt | 2700K (90CRI) | 555 lm | 610 lm | 571 lm |
| | 3000K (90CRI) | 594 lm | 654 lm | 612 lm |
| | 3500K (90CRI) | 641 lm | 705 lm | 660 lm |
| | 4000K (90CRI) | 641 lm | 705 lm | 660 lm |
| 15 Watt | 2700K (90CRI) | 778 lm | 876 lm | 856 lm |
| | 3000K (90CRI) | 834 lm | 938 lm | 917 lm |
| | 3500K (90CRI) | 899 lm | 1011 lm | 989 lm |
| | 4000K (90CRI) | 899 lm | 1011 lm | 989 lm |
| 20 Watt | 2700K (90CRI) | 975 lm | 1072 lm | 1004 lm |
| | 3000K (90CRI) | 1044 lm | 1149 lm | 1076 lm |
| | 3500K (90CRI) | 1125 lm | 1238 lm | 1159 lm |
| | 4000K (90CRI) | 1125 lm | 1238 lm | 1159 lm |

FIELD REPLACEABLE OPTICS

| | |
|------------|--|
| OPTICS | 10°, 30°, 50° available |
| ADJUSTABLE | 0° to 45° tilt, Infinite Rotation |
| MEDIA | Clear, Solite, Frosted, Linear Spread, Hex Louver, Wall Wash |

POWER SUPPLY

| | |
|---------------|------------------------------------|
| INPUT VOLTAGE | 120-277V, 50/60Hz |
| DIMMING | Multiple dimming drivers available |
| POWER FACTOR | > 0.9, 50/60Hz |
| SERVICABILITY | Below Ceiling Access |

TRIM OPTIONS

- Round or Square
- Standard or Trimless
- Smooth or Baffle

TRIM COLORS

- White
- Satin Aluminum
- Black
- Bronze

REFLECTOR COLORS

- White
- Satin Aluminum
- Black
- Bronze

HOUSING INSTALLATION

- Includes (2) adjustable hangar bars and universal butterfly brackets to accommodate T-Grid or drywall ceiling materials only
- 5/8" – 2" ceiling thickness
- Min Plenum Height: 2½" Shallow
- Steel junction box with up to (6) ½" knockouts

LISTINGS AND WARRANTY

ENERGY STAR® Listed

CCEA (Chicago Plenum) Approved

cULus Listed

CA Title 24-JA8 Compliant

UL Listed for Damp Location

Airtight when sealed with silicone caulking

IC Rated

-required to meet Title 24 Airtight requirements.

Five (5) years limited warranty



ORDER MATRIX

A3-SPADJ

3" ADJUSTABLE SHALLOW PLENUM HOUSING (EXAMPLE: A3-SPADJ15S2730-RST00-LCB-24)

| HOUSING BASE | | | | | |
|---|--------------|---------------------------|---|----------------------------------|-------------------------|
| FAMILY APERTURE | WATTAGE | LED DIMMING DRIVER | | | CCT / CRI |
| A3-SPADJ Acrobat 3" Adjustable Shallow Plenum | 10 (10 Watt) | S ¹ | (Universal Dim Driver: 1%-100% 0-10V, TRIAC, ELV, 120V/277V) | | 27 (2700K / 90CRI) |
| | 15 (15 Watt) | L3 ² | (Lutron Hi-Lume® Dim Driver: 1%-100% EcoSystem, 120V/277V) | | 30 (3000K / 90CRI) |
| | 20 (20 Watt) | EL1 | (EldoLED DALI Dim: 1%-100% DALI, 120V/277V) | | 35 (3500K / 90CRI) |
| | | EL2 | (EldoLED Dim: 1%-100% 0-10V, 120V/277V) | | 40 (4000K / 90CRI) |
| | | DMX | (DMX Dim: 1%-100% DMX, 120V/277V) | | |
| | | REMOTE LED DIMMING DRIVER | | | |
| | | SR1 | (Remote Universal Dim: 1%-100% 0-10V, TRIAC, or ELV, 120V/277V) | | |
| OPTIC | TRIM SHAPE | TRIM STYLE | REV | CEILING THICKNESS | HANGER BAR |
| 10 (10° Spot) | -R (Round) | ST (Standard) | 00 | (blank) (5/8" Ceiling Thickness) | (blank) (Standard) |
| 30 (30° Narrow Flood) | -S (Square) | TL (Trimless) | | -2 (2" Ceiling Thickness) | -LCB-24 (24" C-Channel) |
| 50 (50° Flood) | | WC (Wood Ceiling) | | | -LCB-48 (48" C-Channel) |

1. TRIAC, ELV dimming for 120V only. 2. Ambient temperature rated for 25°C.

TRIM

TRIM ORDER MATRIX (EXAMPLE: A3-1RWH-WH-00)

| TRIM | TRIM SHAPE | REFLECTOR FINISH | TRIM FINISH | REV |
|----------------------------------|------------|---|---------------------------------|-----|
| A3-1 Trim w/ Smooth Reflector | R (Round) | WH (White) | (blank) (Trimless/Wood Ceiling) | -00 |
| | S (Square) | BK (Black) | -WH (White) | |
| A3-2 Trim w/ Baffle Reflector | | SA (Satin Aluminum) | -BK (Black) | |
| | | BZ (Bronze) | -SA (Satin Aluminum) | |
| | | CA (Clear Alzak) Round Aperture w/ Smooth Reflector Only | -BZ (Bronze) | |

ACCESSORIES

(Note: Not ENERGY STAR® compliant when installed)

| ADDITIONAL OPTICS |
|--------------------------------|
| S2-10-OPTIC (10° Spot) |
| S2-30-OPTIC (30° Narrow Flood) |
| S2-50-OPTIC (50° Flood) |

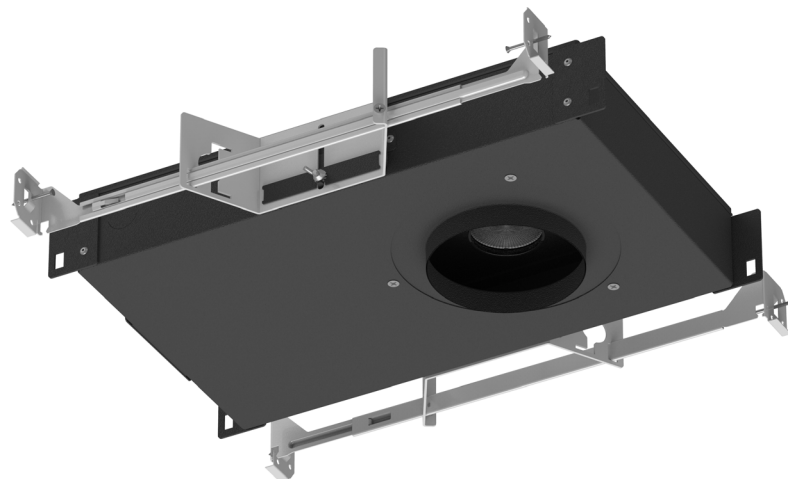
| OPTICAL MEDIA |
|---|
| S2-Lens-CL-0 (Clear Lens) |
| S2-Lens-MP-0 (Solite Lens) |
| S2-Lens-FR-0 (Frosted Lens) |
| S2-Lens-LS-0 (Linear Spread Lens) |
| S2-Lens-HEX-0 ¹ (Hex Louver) |
| S2-Lens-WW-0 (Wall Wash) |

| EMERGENCY OPTIONS |
|---------------------------------------|
| EM-1000 (25W Remote Inverter) |
| EM-1002 (10W Remote Emergency Driver) |
| EM-1004 (50W Remote Inverter) |

1. Only 1 media option with Hex Louver.

HOUSING AND LIGHT ENGINE LINE DRAWINGS

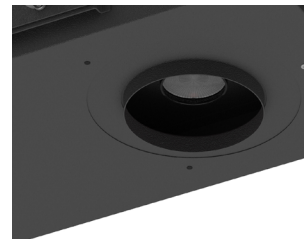
A3-SPADJ
Adjustable Shallow Plenum Housing (Round)



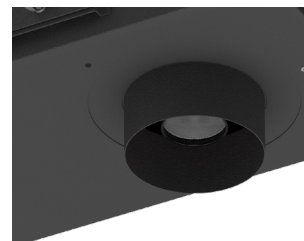
A3-SPADJ...-R

Acrobat 3" Adjustable Shallow Plenum Housing - Round

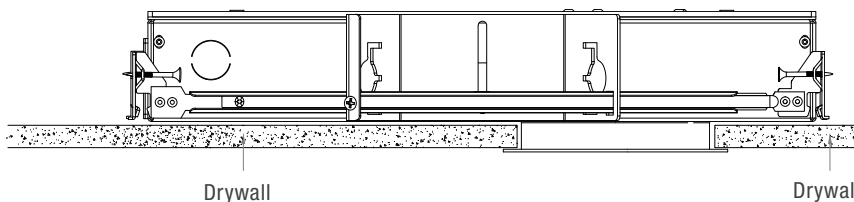
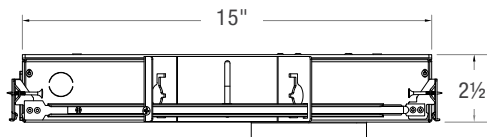
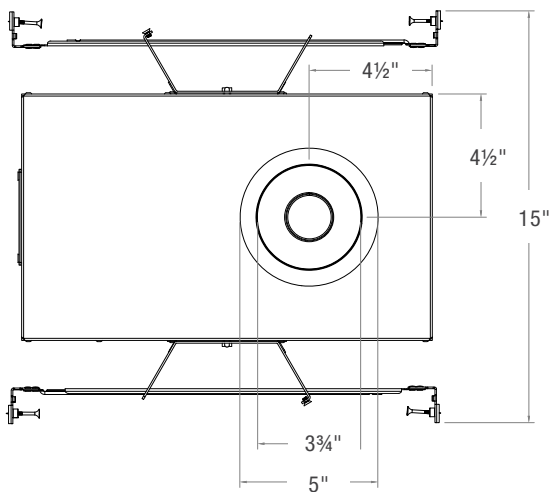
CEILING THICKNESS



5/8" Ceiling Thickness
Standard Collar



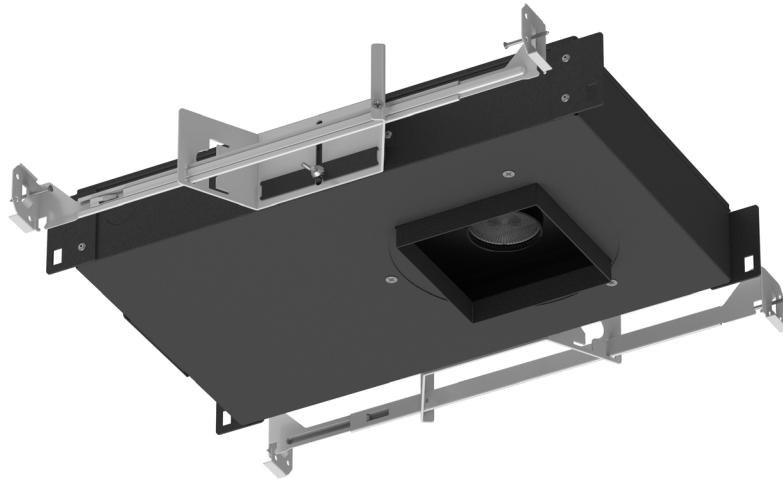
2" Ceiling Thickness
Extended Collar
Order Matrix (-2)



Standard Collar Height 5/8"
Extended Collar Height 2"

HOUSING AND LIGHT ENGINE LINE DRAWINGS

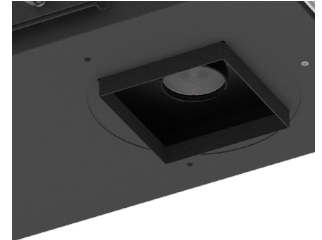
A3-SPADJ
Adjustable Shallow Plenum Housing (Square)



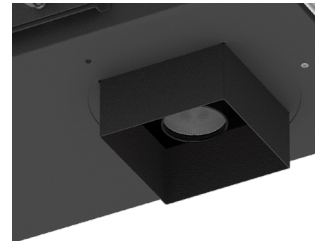
A3-SPADJ...-S

Acrobat 3" Adjustable Shallow Plenum Housing - Square

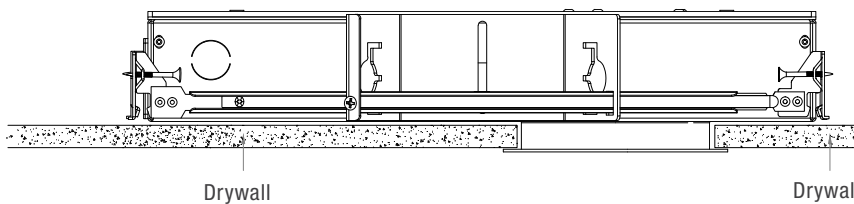
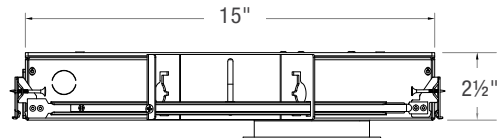
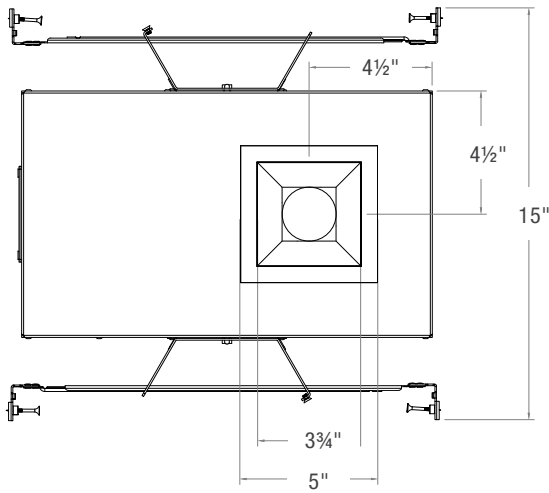
CEILING THICKNESS



5/8" Ceiling Thickness
Standard Collar

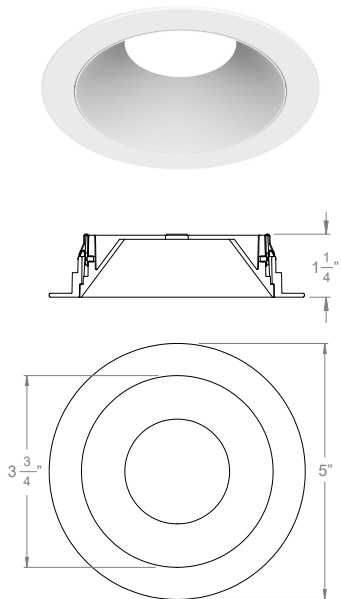


2" Ceiling Thickness
Extended Collar
Order Matrix (-2)

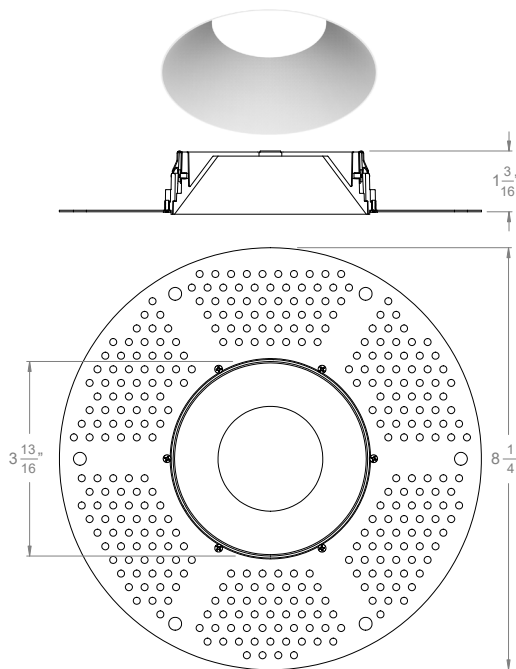


Standard Collar Height 5/8"
Extended Collar Height 2"

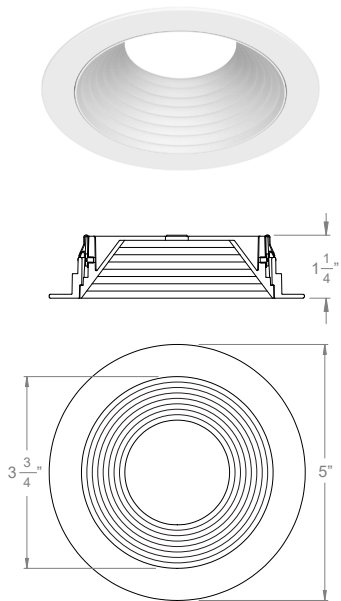
TRIM STYLES



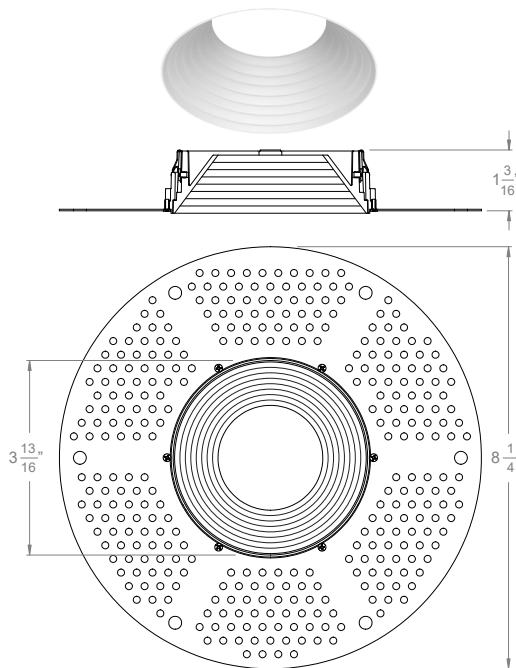
A3-1R
3" Acrobat Round Standard Trim
(with Smooth Reflector)



A3-1R
3" Acrobat Round Trimless Mud Plate
(with Smooth Reflector)

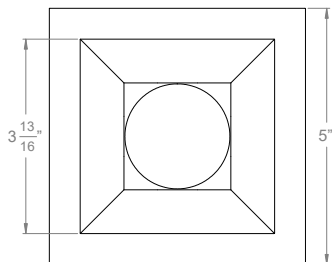
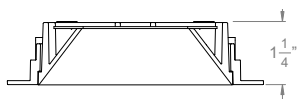
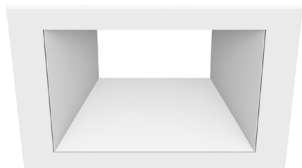


A3-2R
3" Acrobat Round Standard Trim
(with Baffle Reflector)



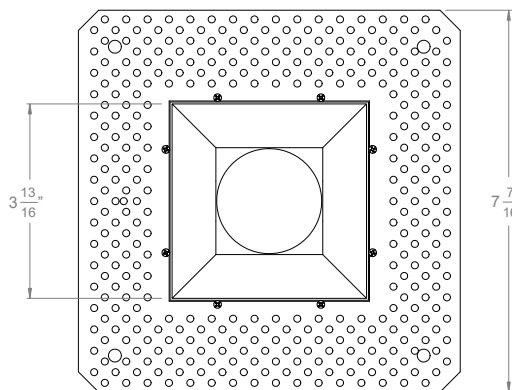
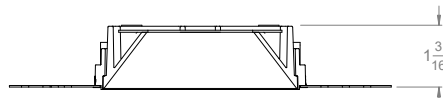
A3-2R
3" Acrobat Round Trimless Mud Plate
(with Baffle Reflector)

TRIM STYLES



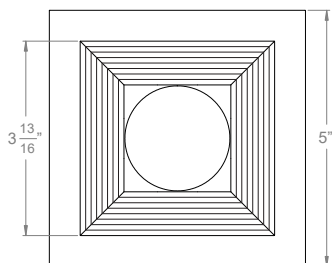
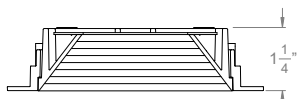
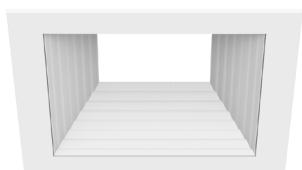
A3-1S

3" Acrobat Square Standard Trim
(with Smooth Reflector)



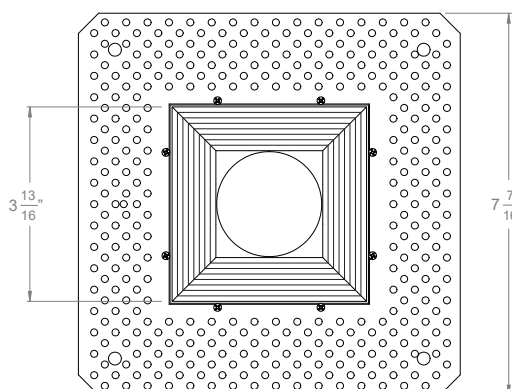
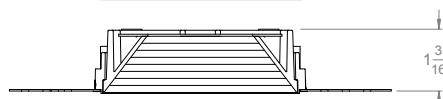
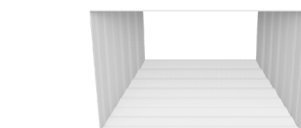
A3-1S

3" Acrobat Square Trimless Mud Plate
(with Smooth Reflector)



A3-2S

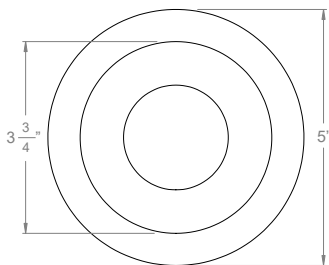
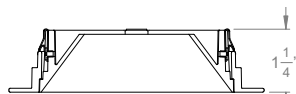
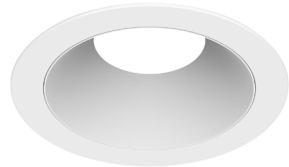
3" Acrobat Square Standard Trim
(with Baffle Reflector)



A3-2S

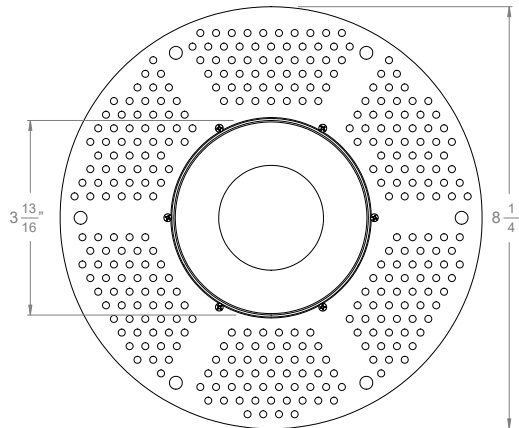
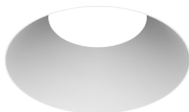
3" Acrobat Square Trimless Mud Plate
(with Baffle Reflector)

TRIM STYLES



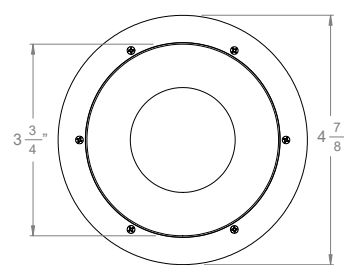
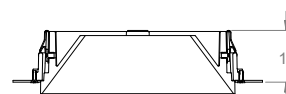
RST

3" Acrobat Round Standard Trim
(with Standard Reflector)



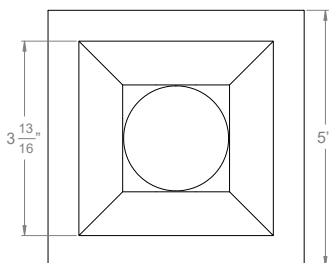
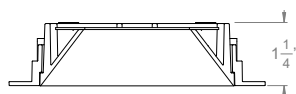
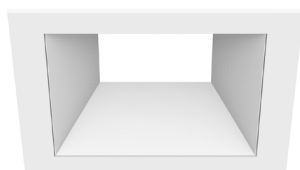
RTL

3" Acrobat Round Trimless Mud Plate
(with Standard Reflector)



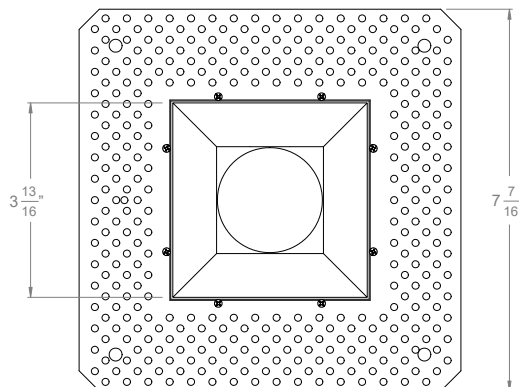
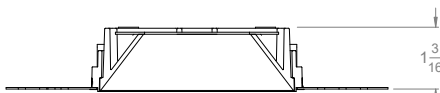
RWC

3" Acrobat Round Wood Ceiling Trim
(with Standard Reflector)



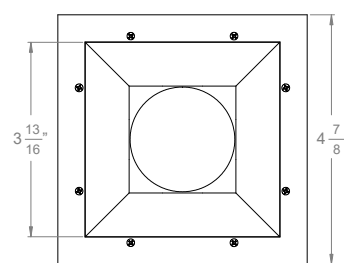
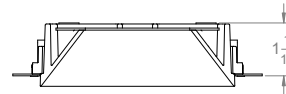
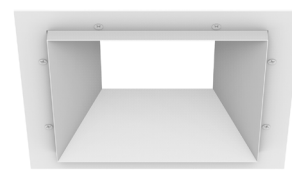
SST

3" Acrobat Square Standard Trim
(with Standard Reflector)



STL

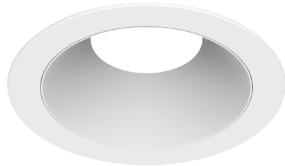
3" Acrobat Square Trimless Mud Plate
(with Standard Reflector)



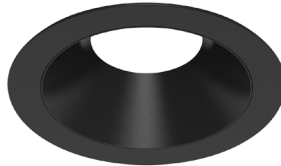
SWC

3" Acrobat Square Wood Ceiling Trim
(with Standard Reflector)

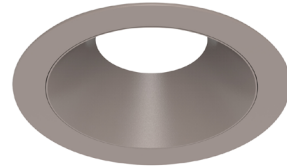
TRIM FINISHES



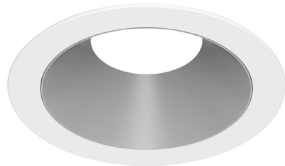
RWH-WH
WH White Trim
WH White Reflector



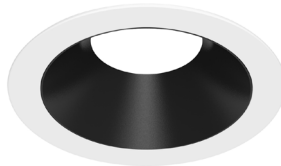
RBK-BK
BK Black Trim
BK Black Reflector



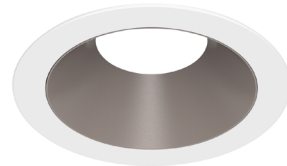
RBZ-BZ
BZ Bronze Trim
BZ Bronze Reflector



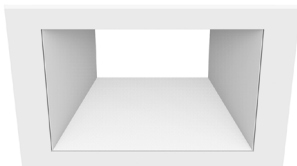
RWH-SA
WH White Trim
SA Silver Reflector



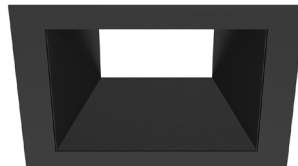
RWH-BK
WH White Trim
BK Black Reflector



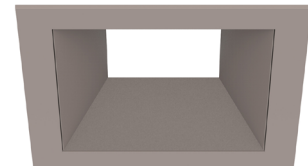
RWH-BZ
WH White Trim
BZ Bronze Reflector



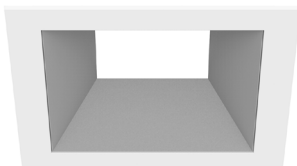
SWH-WH
WH White Trim
WH White Reflector



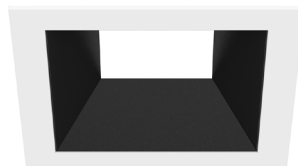
SBK-BK
BK Black Trim
BK Black Reflector



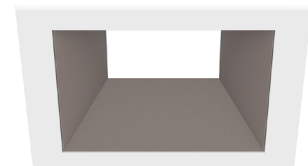
SBZ-BZ
BZ Bronze Trim
BZ Bronze Reflector



SWH-SA
WH White Trim
SA Silver Reflector



SWH-BK
WH White Trim
BK Black Reflector



SWH-BZ
WH White Trim
BZ Bronze Reflector

DIMMING DRIVER COMPATIBILITY

DIMMER LIST

| "S" Standard Universal Dim | | | |
|-----------------------------|------------|-------------------------|----------------|
| Compatible Phase Cut Dimmer | | Compatible 1-10V Dimmer | |
| Manufacturer | Product | Manufacturer | Product |
| Cooper | DAL06P | Leviton | IP740-DLZ |
| | DLC03P | Lightolier | ZP600FAM120 |
| | SLC03P | | V2000FAMU |
| Leviton | 6161 | Lutron | DVTV |
| | 6631-2 | | NTFTV |
| | 6633-P | Crestron | CLS-EXP-DIMFLV |
| | 6673-10W | | DIN-4DIMFLV4 |
| | 6683-IW | | DIN-A08 |
| | IPE04 | | GLX-DIMFLV8 |
| | IPI06-1LZ | | |
| | VPE06 | | |
| | Lightolier | ZP26QEWW | |
| | Lutron | CT103P | |
| DV600P | | | |
| DVCL-153P | | | |
| DVEL303P | | | |
| FAELV500 | | | |
| LG600P | | | |
| MAELV600 | | | |
| S600P | | | |
| S-603PG | | | |
| SELV300P | | | |
| TG-600P | | | |
| TGCL-153P | | | |